

# 16 tonne Kobelco Tom Thumb RK160

## 16 Tonne City Crane

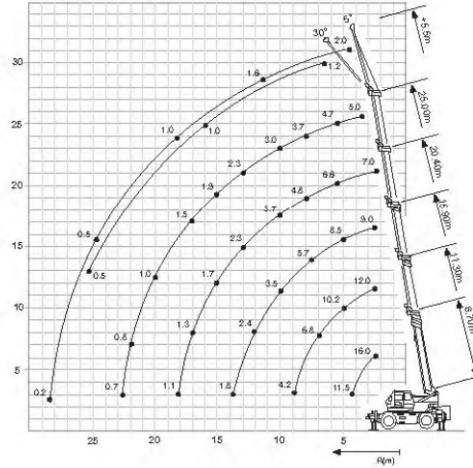
**Lift Capacity:** 16.0 Tonne  
**Boom Length:** 25.0 m  
**Fly Jib Length:** 5.5 m

**Main Hook Weight:** 140 Kg  
**Aux Hook Weight:** 45 Kg  
**Line Pull:** 2.6 Tonne  
**Spreader:** 2.0m, 2.4m, 2.7m, 3.0m, 3.3m.

16 Tonne Rating Chart

M	6.7	11.3	15.9	20.4	25.0
2.5	16.00	12.00	9.00	7.00	
3.0	16.00	12.00	9.00	7.00	
3.5	14.00	12.00	9.00	7.00	5.00
4.0	12.50	12.00	9.00	7.00	5.00
4.5	11.50	11.10	8.50	7.00	5.00
5.0		10.25	8.05	7.00	5.00
5.5		9.40	7.60	6.60	4.75
6.0		8.55	7.15	6.20	4.55
6.5		7.70	6.70	5.80	4.35
7.0		6.84	6.20	5.50	4.15
7.5		6.00	5.70	5.15	3.90
8.0		5.30	5.20	4.55	3.70
9.0		4.25	4.25	4.30	3.30
10.0			3.50	3.75	3.00
11.0			2.90	3.20	2.70
12.0			2.45	2.75	2.50
13.0			2.05	2.35	2.30
14.0			1.85	2.05	2.10
15.0			1.75	1.90	
16.0			1.50	1.70	
17.0			1.32	1.50	
18.0			1.15	1.30	
19.0			1.15	1.15	
20.0				1.00	
21.0				0.90	
22.0				0.80	
24.0				0.74	
26.0					
28.0					
30.0					

16 Tonne Working Range



16 Tonne Dimensions

